

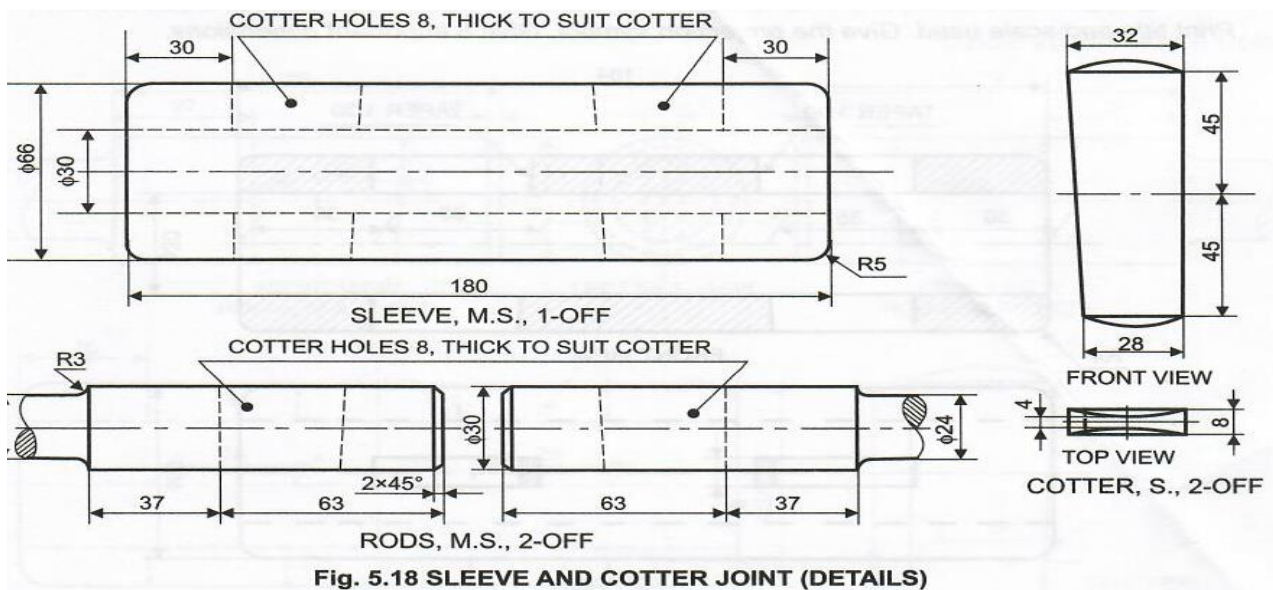


| | | |
|---|---|---|
|  | INDIAN SCHOOL AL WADI AL KABIR |  |
| Class: XII | Department: SCIENCE – 2022-2023 SUBJECT: <u>ENGINEERING GRAPHICS</u> | Date of Completion: 15.09.22 |
| Worksheet No:4 With Answers | Topic: <u>ROD JOINTS</u> | Note: A4 FILE FORMAT |
| NAME OF THE STUDENT: | CLASS: XII SECTION: C | ROLL NO: |

Questions

1. The figure shows the details of the parts of a Sleeve and Cotter joint. Assemble these parts correctly and then draw the following views to scale 1:1.

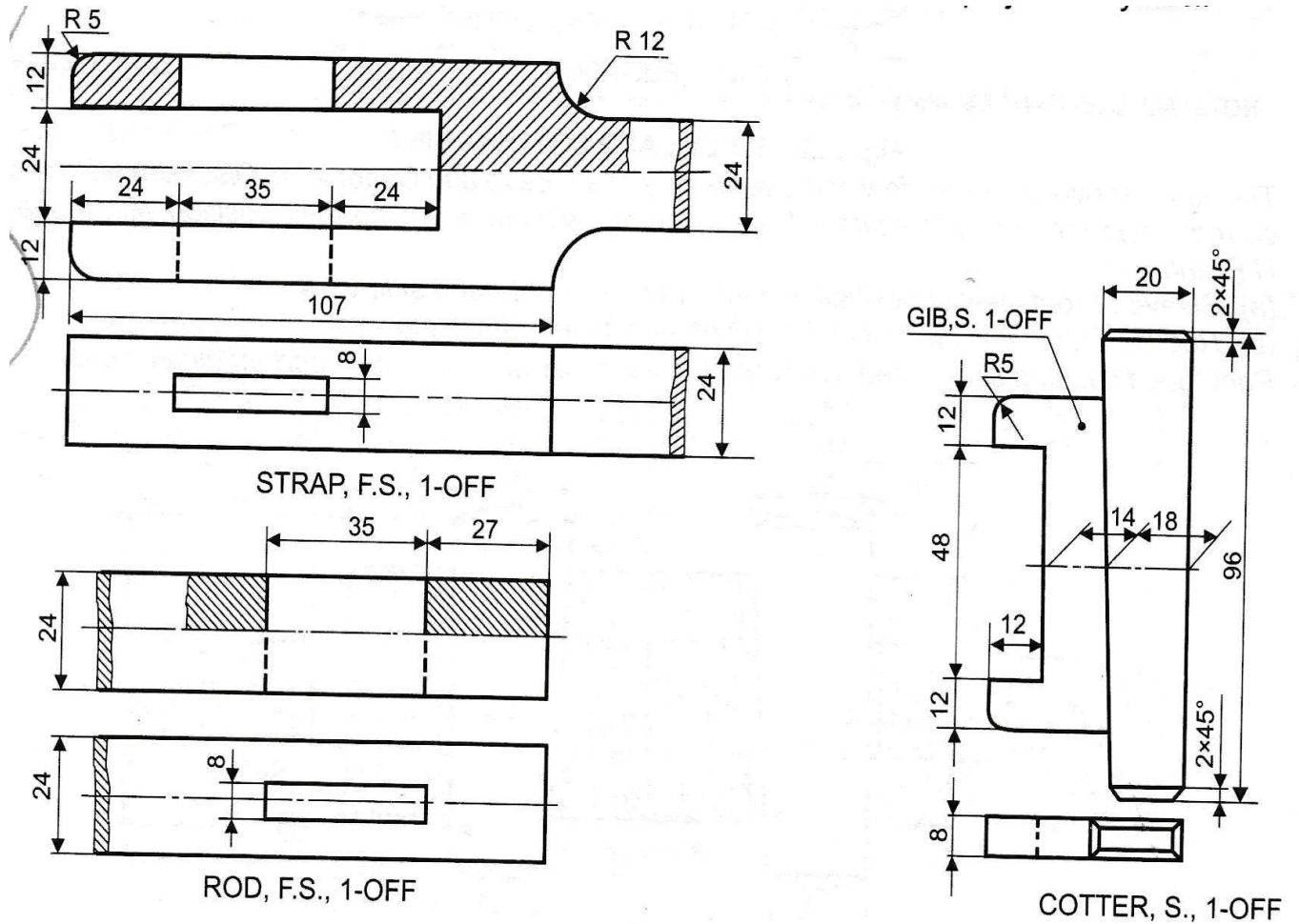
- (a) Front view upper half in section,
- (b) Left hand side view
- (c) Print title, scale used and give all dimensions.



2. The figure below shows the details of a Gib and cotter joint for square rods. Assemble the parts correctly and draw the following views to scale 1:1.

- a) Top half sectional front view
- b) Top view
- c) Left hand side view

Write heading and scale used. Give 8 leading dimensions, also draw projection symbol.



MULTIPLE CHOICE QUESTIONS

1. Which joint is used for rods of square cross section?

- a) Knuckle joint
- b) bushed bearing
- c) socket and spigot joint
- d) gib and cotter joint

2. Gib is always provided in conjunction with :

- a) key
- b) cotter
- c) bolt
- d) Rivet

3. How much taper is generally used in the width of a cotter

- a) 1:3
- b) 1:10
- c) 1:30
- d) 1:50

4. Gib is provided towards which end of fork in a cotter joint

- a) broken end
- b) upper end
- c) lower end
- d) open end

5. A cotter joint is used to connect two :

- a) co axial rods
- b) perpendicular rods
- c) parallel rods
- d) rods in any position

MULTIPLE CHOICE QUESTIONS

ANSWERS

- 1.d) Gib ans cotter joint
- 2.b)Cotter
- 3.c)1:30
- 4.d)Open end
- 5.a)Co-axial rods

SOLUTIONS FOR DRAWINGS

1.

